

INFORMATION DISPLAY METHOD

Publication number: JP8191282 (A)

Publication date: 1996-07-23

Inventor(s): KUBOTA ICHIRO; NIIJIMA MAKOTO

Applicant(s): SONY CORP; ASAHI SHIMBUN PUBLISHING

Classification:

- international: **H04H20/00; H04H20/74; H04H20/81; H04H60/47;** (IPC1-7): H04H1/00; H04H1/08

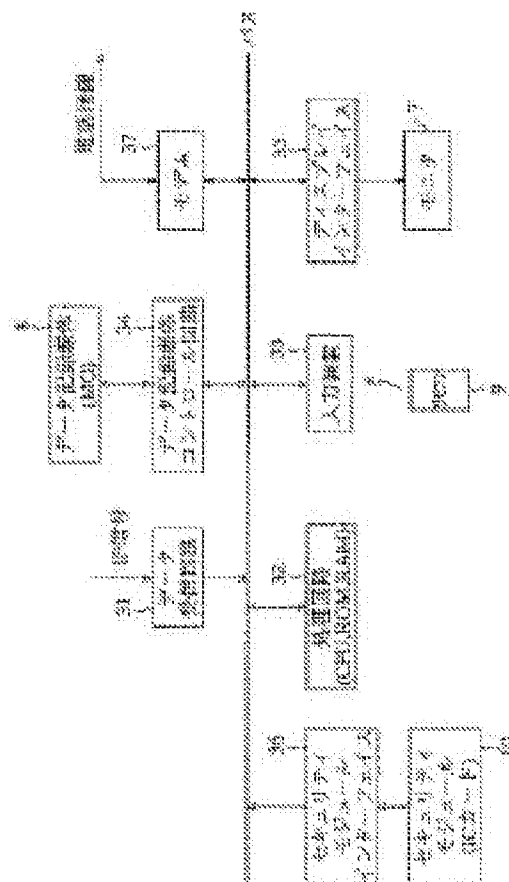
- European:

Application number: JP19950001602 19950110

Priority number(s): JP19950001602 19950110

Abstract of JP 8191282 (A)

PURPOSE: To enable a user to easily see principal news in a short time by displaying headlines of plural information which are received through a transmission line and recorded on a recording medium and automatically successively displaying information of a designated genre. **CONSTITUTION:** When data registered in a prescribed genre is read out from a recording medium MO 8, a read command is issued to a processing circuit 32 through an input device 33 to first read out the genre of information, and this information is displayed as a list on a monitor 7. The user at it, stores the selectively indicated genre in the ROM incorporated in the processing circuit 32. When he commands read of information in the MO 8 after the genre register processing, the processing circuit 32 selects automatic reproducing or continued reproducing to successively display the news of each genre and executes the reproducing operation of selected news. Not only information may be distributed through satellites but also cables and transmission lines may be used.



Data supplied from the **esp@cenet** database — Worldwide